

**FURUNO**

# *DOPPLER SPEED LOG*



Model:  
**DS-80**

- ▶ Speed and distance run indicated on a large illuminated LCD display
- ▶ Compact display unit and transducer
- ▶ High accuracy by utilizing the Doppler principle, paired beam eliminating effect of pitching, and velocity correction for change of water temperature
- ▶ Easy speed correction at mile post run

- ▶ Speed output to ARPA, radar, ECDIS, AIS, VDR, GMDSS equipment, etc.
- ▶ Complies with IMO standards MSC.96 (72), A.824 (19), A.694 (17), IEC 61023 and other related standards
- ▶ Fully meets SOLAS carriage requirement for ships over 300GT
- ▶ Fits to the hull either directly or with a gate valve

## SPECIFICATIONS

- |                     |  |
|---------------------|--|
| 1. Product Name     | DOPPLER SPEED LOG  |
| 2. Measuring System | Paired-beam Doppler log, 1 MHz   |
| 3. Display unit     | 4.5" (95 x 60 mm) Monochrome LCD<br>120 x 64 pixels  |
| Character size:     | 15 or 21 mm high selectable  |
| 4. Speed Range      | 0 - 40 kn, 0.1 kn steps  |
| Forward:            | 0 - 10 kn, 0.1 kn steps  |
| Astern:             | 0-999,999.99 NM,   |
| 5. Distance Run     | resettable to any value.   |
| 6. Accuracy         | Speed through-the-water (STW):<br>1%, display resolution 0.1 kn<br>Distance run: 1%, in steps of 0.1 NM<br>Deeper than 3 m |
| 7. Water Depth      |  |
| 8. Correction       | Automatic correction for change of<br>water temperature  |
| Sound velocity:     |  |
| Mile post run:      | ±10% on menu   |
| 9. Test             | -10 and 40 kn  |
| 10. Power Supply    | 115/230 VAC  |
| 11. Interface       | IEC 61162-1  |
| Output:             | VBW, VLV   |

## ENVIRONMENT (IEC 60945 test method)

- |               |                                  |
|---------------|----------------------------------|
| Temperature   | -15°C to +55°C (Display unit)    |
| Waterproofing | Display unit; IPX5 CFR-46 (USCG) |

## EQUIPMENT LIST

### Standard

- |  |        |
|--|--------|
| 1. Main Display DS-800                             | 1 unit |
| 2. Transducer Unit DS-820<br>with 10/20/30 m cable | 1 unit |
| 3. Transceiver Unit DS-810                         | 1 unit |
| 4. Distribution Box DS-801                         | 1 unit |
| 5. Terminal Box DS-802                             | 1 unit |

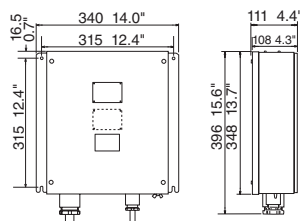
### Option

- |                                     |        |
|-------------------------------------|--------|
| 1. Digital Indicator DS-830         | 1 unit |
| 2. Remote Distance Indicator DS-840 | 1 unit |
| 3. Transducer Tank DS-850           | 1 unit |
| 4. Flush Mount Kit F type or S type | 1 unit |
| 5. Gate Valve DS-782, DS-786        | 1 unit |
| 6. Junction Box CI-630              | 1 unit |
| 7. Analog Display                   | 1 unit |

## TRANSCIVER UNIT

### DS-810

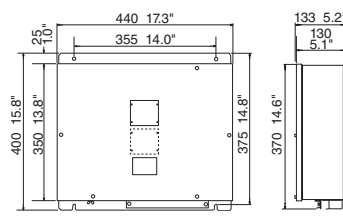
8.0 kg, 17.6 lb



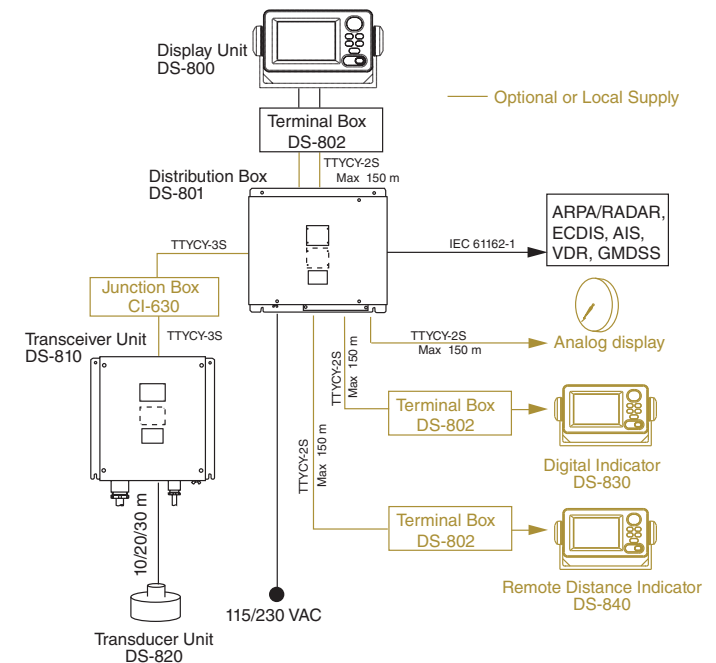
## DISTRIBUTION BOX

### DS-801

14 kg, 30.9 lb

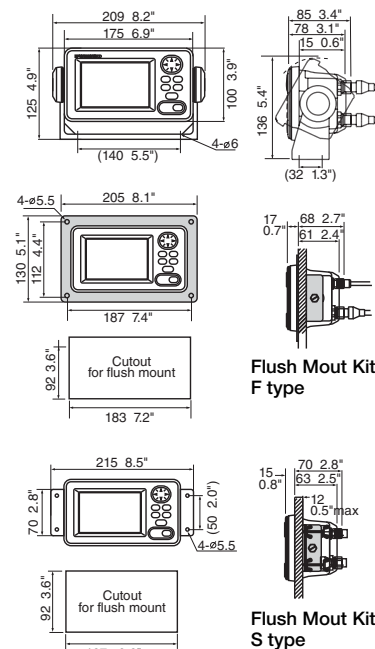


## INTERCONNECTION DIAGRAM



## DISPLAY UNIT DS-800

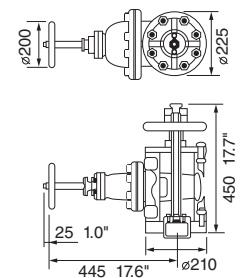
0.6 kg, 1.3 lb



## GATE VALVE

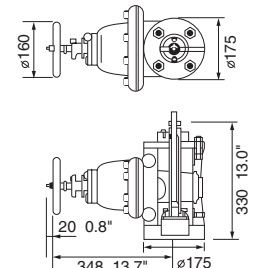
### DS-782

75 kg, 165.3 lb



### DS-786

40 kg, 88.1 lb



All brand and product names are registered trademarks, trademarks or service marks of their respective holders.

SPECIFICATIONS SUBJECT TO CHANGE WITHOUT NOTICE

**FURUNO ELECTRIC CO., LTD.**  
Nishinomiya, Hyogo, Japan  
www.furuno.com

**FURUNO U.S.A., INC.**  
Camas, Washington, U.S.A.  
www.furunousa.com

**FURUNO (UK) LIMITED**  
Havant, Hampshire, U.K.  
www.furuno.co.uk

**FURUNO NORGE A/S**  
Ålesund, Norway  
www.furuno.no

**FURUNO DANMARK A/S**  
Hvidovre, Denmark  
www.furuno.dk

**FURUNO SVERIGE AB**  
Västra Frölunda, Sweden  
www.furuno.se

**FURUNO FINLAND OY**  
Espoo, Finland  
www.furuno.fi

**FURUNO POLSKA Sp. z o.o.**  
Gdynia, Poland  
www.furuno.pl

**FURUNO DEUTSCHLAND GmbH**  
Rellingen, Germany  
www.furuno.de

**FURUNO FRANCE S.A.S.**  
Bordeaux-Mérignac, France  
www.furuno.fr

**FURUNO ESPAÑA S.A.**  
Madrid, Spain  
www.furuno.es

**FURUNO ITALIA S.r.l.**  
Genoa, Italy

**FURUNO HELLAS S.A.**  
Glyfada, Greece  
www.furuno.gr

**FURUNO (CYPRUS) LTD**  
Limassol, Cyprus  
www.furuno.com.cy

**FURUNO EURUS LLC**  
St. Petersburg, Russian Federation  
www.furuno.com.ru

**FURUNO SHANGHAI CO., LTD.**  
Shanghai, China  
www.furuno.com/cn

**FURUNO KOREA CO., LTD.**  
Busan, Korea  
**RICO (PTE) LTD**  
Singapore  
www.rico.com.sg

14073SK Printed in Japan  
Catalogue No. FX-616h