

6.1.3 Preparation

1. Connection

Prepare the cable to be connected between the serial port of the PC and the [RECEIVER] port of the Display unit as shown below.

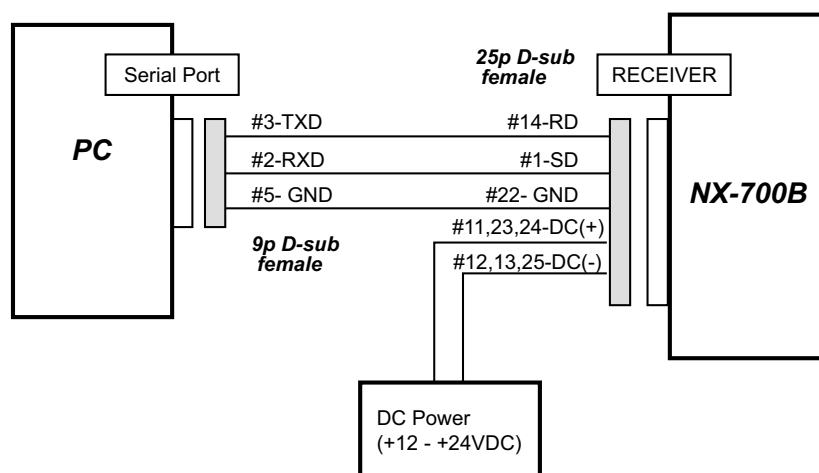
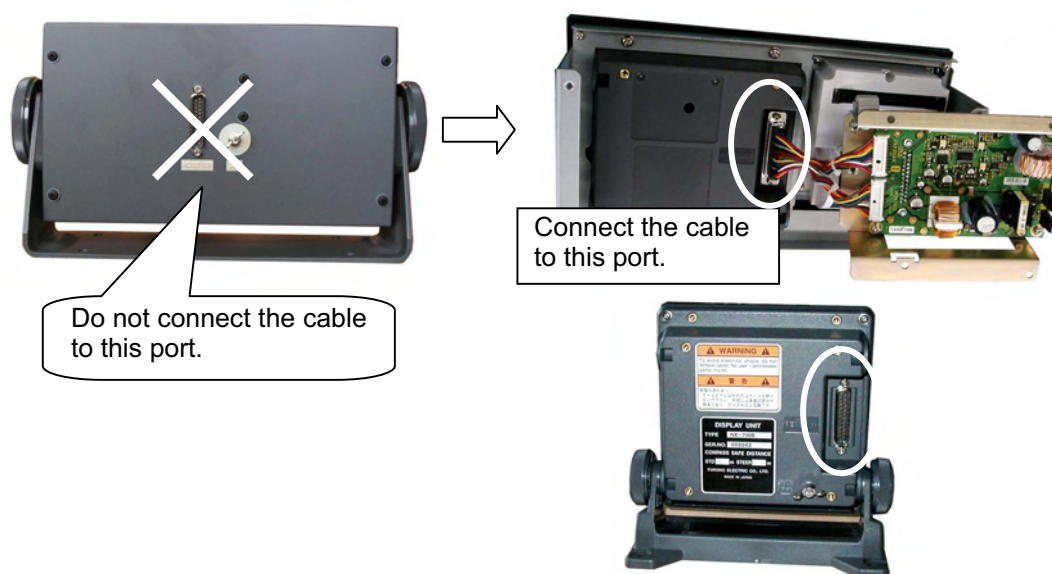
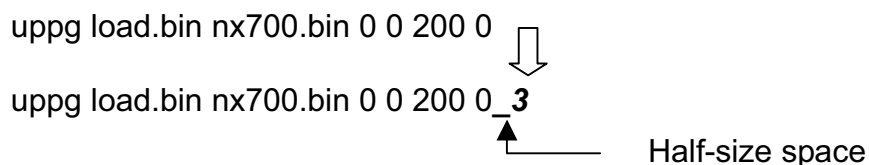


Fig. 6.1.1 Connection for updating NX-700 Program

2. Procedure for rewriting COM port of batch file

- 1) Open [Control Panel] -> [System] -> [Device Manager] and check the COM port number on “USB - RS-232C Driver”.
- 2) Select a batch file to be updated and open the batch file by clicking [File] -> “Edition”.
- 3) Enter the COM port number of the PC at the end of the text of the batch file. For instance, if the COM port is COM3, enter “3” after the half-size space.

```
uppg load.bin nx700.bin 0 0 200 0
uppg load.bin nx700.bin 0 0 200 0_3
```



Half-size space

- 4) Select [File] -> “Save” to save the edited text.
When the edited text cannot be saved, right-click the icon of the batch file, and select [Property] -> [General] Tag. Check that there is no check mark in the “Read only” box for the [Attribute].